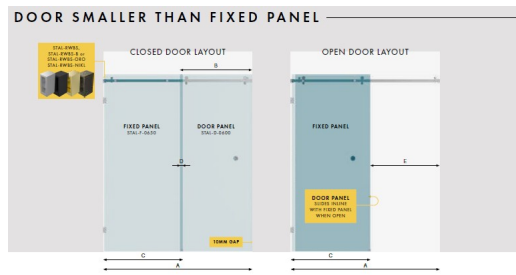
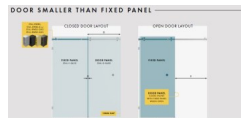


1200 - 1240mm Brushed Nickel Inline Sliding Shower Screen



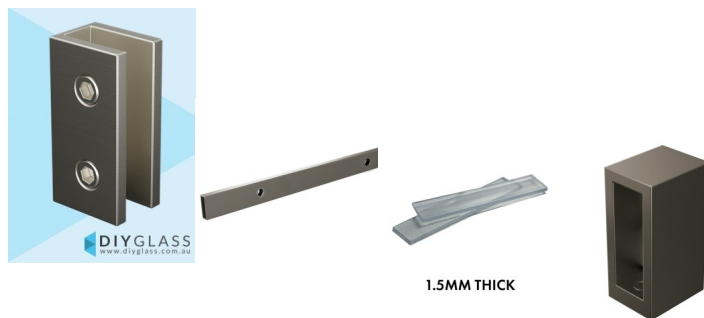
A Overall Width	B Door Width	C Fixed Panel Width	D Overlap With Closed Door	E Opening
1200mm	600mm	650mm	- 63mm	547mm
1205mm	600mm	650mm	- 58mm	552mm
1210mm	600mm	650mm	- 53mm	557mm
1215mm	600mm	650mm	- 48mm	562mm
1220mm	600mm	650mm	- 43mm	567mm
1225mm	600mm	650mm	- 38mm	572mm
1230mm	600mm	650mm	- 33mm	577mm
1235mm	600mm	650mm	- 28mm	582mm
1240mm	600mm	650mm	- 23mm	587mm

- SPACINGS BASED ON THESE ASSUMPTIONS:**
- Fixed panel installed with fluted wall brackets which produces a 3mm silicone join gap. If wall channel is used, specified opening sizes overlaps, etc will change.
 - Edges of glass door must remain 10mm from wall. 10mm door kalls recommended to use for buffering or if not used, 10mm safety margin gap required.
 - When door is open, minimum 10mm gap is required from wall for safety margin buffering.
- *When using a 650mm wide fixed panel, it is important to purchase a slimline wall bracket separately (STAL-RWBS-/STAL-RWBS-8-/STAL-RWBS-ORD/STAL-RWBS-NIKI) due to space restrictions between the rail fixing bracket and the wall.*



Overall Width	Door Width	Fixed Panel Width	Overlap With Closed Door	Opening
1200mm	600mm	650mm	- 63mm	547mm
1205mm	600mm	650mm	- 58mm	552mm
1210mm	600mm	650mm	- 53mm	557mm
1215mm	600mm	650mm	- 48mm	562mm
1220mm	600mm	650mm	- 43mm	567mm
1225mm	600mm	650mm	- 38mm	572mm
1230mm	600mm	650mm	- 33mm	577mm
1235mm	600mm	650mm	- 28mm	582mm
1240mm	600mm	650mm	- 23mm	587mm

- SPACINGS BASED ON THESE ASSUMPTIONS:**
- Fixed panel installed with fluted wall brackets which produces a 3mm silicone join gap. If wall channel is used, specified opening sizes overlaps, etc will change.
 - Edges of glass door must remain 10mm from wall. 10mm door kalls recommended to use for buffering or if not used, 10mm safety margin gap required.
 - When door is open, minimum 10mm gap is required from wall for safety margin buffering.
- *When using a 650mm wide fixed panel, it is important to purchase a slimline wall bracket separately (STAL-RWBS-/STAL-RWBS-8-/STAL-RWBS-ORD/STAL-RWBS-NIKI) due to space restrictions between the rail fixing bracket and the wall.*



Suits Wall to Wall Opening of: 1200mm to 1240mm

Kit includes

- 1 x 600mm x 2038mm Door Panel
- 1 x 650mm x 2050mm Fixed Panel
- 1 x Brushed Nickel Sliding Door Kit
- 2 x Brushed Nickel Wall Brackets
- 1 x Door Bump Stop
- 1 x Brushed Nickel 1650mm Long Pre-Drilled Rail
- 1 x Brushed Nickel Slimline Rail Wall Bracket
- 1 x 20 Pack of 1.5mm Clear Setting Blocks

1200 - 1240mm Brushed Nickel Inline Sliding Shower Screen

- 1 x Bostik 6s Silicon
- 1 x Ultraloc Threadlocker 3242 Compound

Rating: Not Rated Yet

Price

\$ 836.00

\$ 836.00

[Ask a question about this product](#)

Description

Suits Wall to Wall Opening of: 1200mm to 1240mm

Kit includes

- 1 x 600mm x 2038mm Door Panel
- 1 x 650mm x 2050mm Fixed Panel
- 1 x Brushed Nickel Sliding Door Kit
- 2 x Brushed Nickel Wall Brackets
- 1 x Door Bump Stop
- 1 x Brushed Nickel 1650mm Long Pre-Drilled Rail
- 1 x Brushed Nickel Slimline Rail Wall Bracket
- 1 x 20 Pack of 1.5mm Clear Setting Blocks
- 1 x Bostik 6s Silicon
- 1 x Ultraloc Threadlocker 3242 Compound