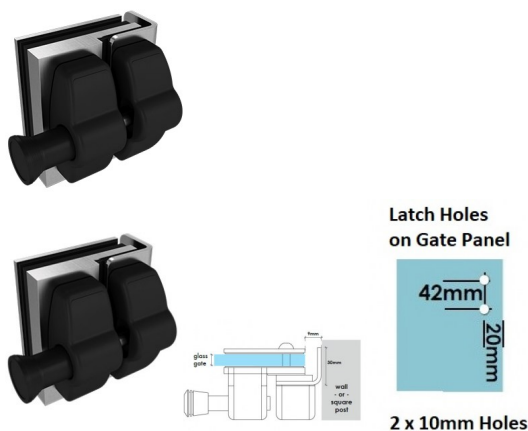


Satin Stainless Glass to Wall Pool Fence Economy Latch



- Satin Stainless Glass to Wall/Square Post Latch
- Use for Glass Pool Fence Gate or Glass Balustrade Gate
- Backing Plates 316 Stainless Steel
- Requires Gate to be drilled (2 x 12mm Holes, 20mm in from edge and 42mm apart)
- Suits 8, 10 and 12mm gates
- For best results leave a 9mm gap between the gate and Post/Wall

Rating: Not Rated Yet

Price

\$ 67.00

\$ 67.00

[Ask a question about this product](#)

Description

- Satin Stainless Glass to Wall/Square Post Latch
- Use for Glass Pool Fence Gate or Glass Balustrade Gate
- Backing Plates 316 Stainless Steel
- Requires Gate to be drilled (2 x 12mm Holes, 20mm in from edge and 42mm apart)
- Suits 8, 10 and 12mm gates
- For best results leave a 9mm gap between the gate and Post/Wall