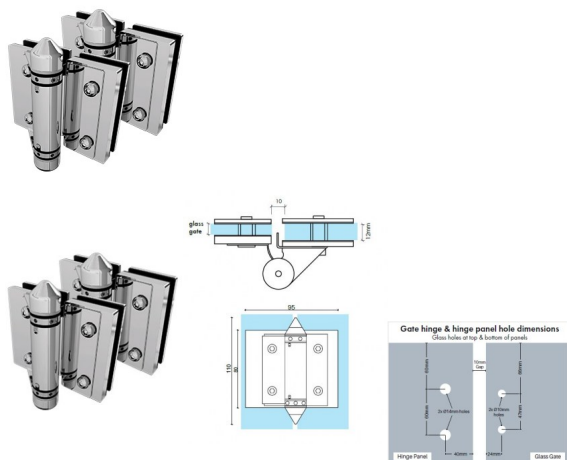


Polished Stainless Glass to Glass Spring Hinge



- Glass to Glass Gate Hinge
- Use for Glass Pool Fence Gate or Glass Balustrade Gate
- Suits 8 & 10mm Glass Gates
- Suits 12mm Hinge Panel
- 316 Grade Stainless
- Gate needs to be drilled with 4 x 10mm Holes (24mm in from the side and 47 apart)
- Hinge panel needs to be drilled 4 x 14mm Holes (40mm in from the side and 60mm apart)
- For best results allow for a 10mm gap between the hinge panel and gate

Rating: Not Rated Yet

Price

\$ 152.00

\$ 152.00

[Ask a question about this product](#)

Description

- Glass to Glass Gate Hinge
- Use for Glass Pool Fence Gate or Glass Balustrade Gate
- Suits 8 & 10mm Glass Gates
- Suits 12mm Hinge Panel
- 316 Grade Stainless
- Gate needs to be drilled with 4 x 10mm Holes (24mm in from the side and 47 apart)
- Hinge panel needs to be drilled 4 x 14mm Holes (40mm in from the side and 60mm apart)
- For best results allow for a 10mm gap between the hinge panel and gate