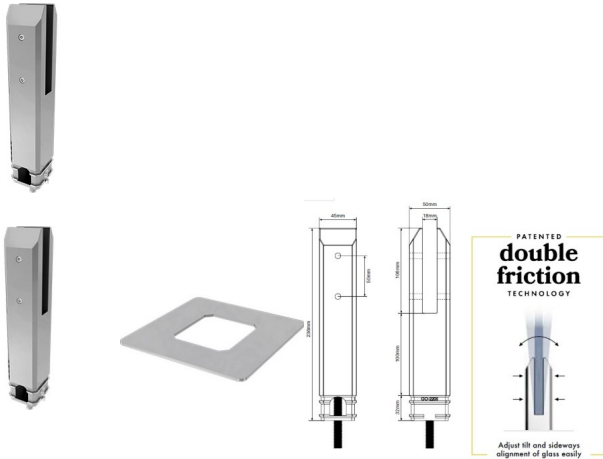


Polished Stainless Deluxe Double Friction Square Core Hole Spigot with Dress Ring



- Pool Fence Square Core Hole Spigot
- Double Friction for easy tilt adjustment and alignment
- Mirror Polished 2205 Duplex Stainless Steel
- Bottom M10 Bolt provides up to 60mm of vertical height adjustment or remove to attach a spigot extender
- Recessed friction plates provide a neat finish and easy installation
- Includes terminal for quick and easy earthing if required

Includes a 100x100mm Dress Ring to cover your grout hole

Rating: Not Rated Yet

Price
\$ 65.00

\$ 65.00

[Ask a question about this product](#)

Description

- Pool Fence Square Core Hole Spigot
- Double Friction for easy tilt adjustment and alignment
- Mirror Polished 2205 Duplex Stainless Steel
- Bottom M10 Bolt provides up to 60mm of vertical height adjustment or remove to attach a spigot extender
- Recessed friction plates provide a neat finish and easy installation
- Includes terminal for quick and easy earthing if required

Includes a 100x100mm Dress Ring to cover your grout hole