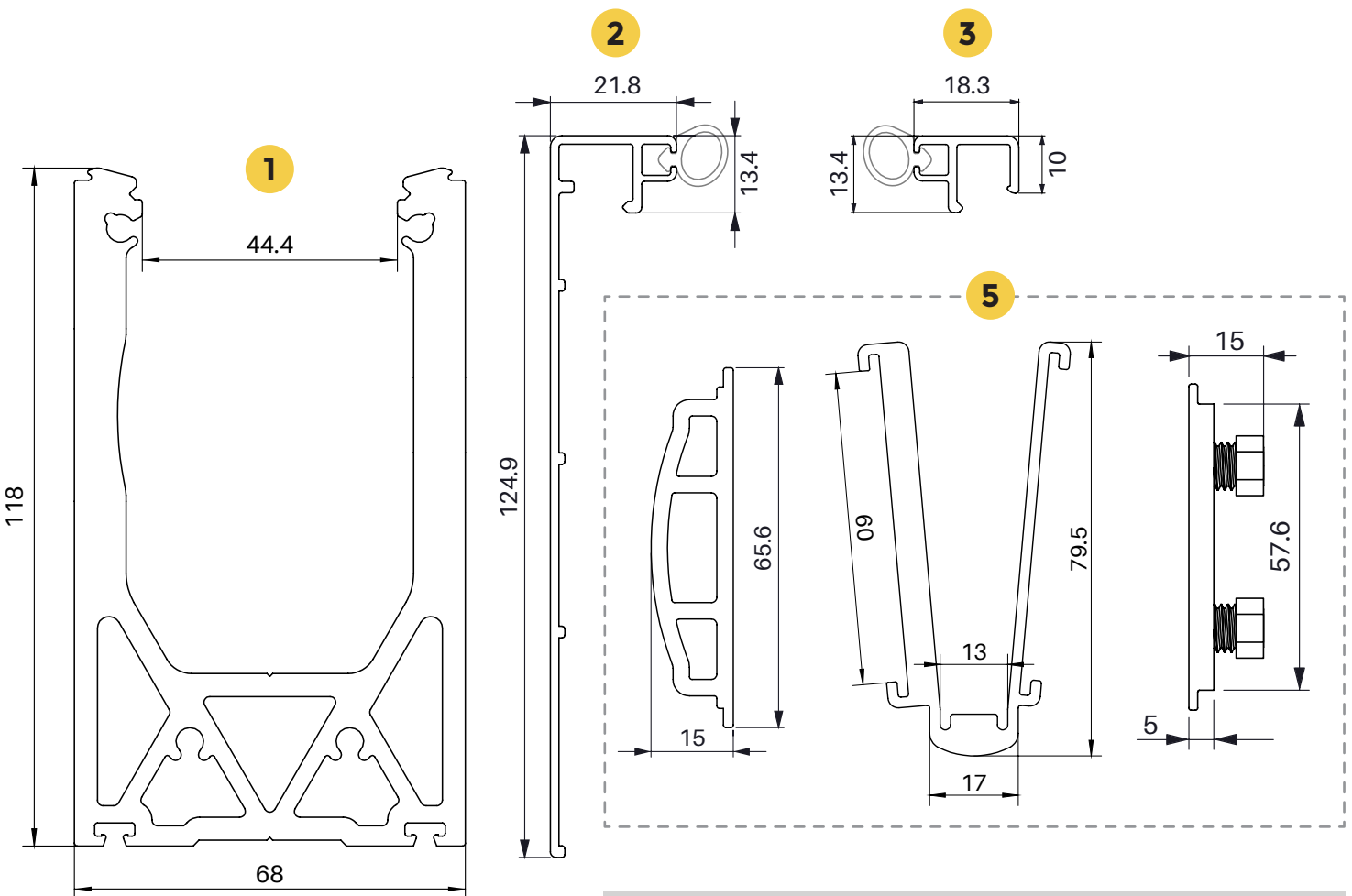


NEW!

PATENTED VERSA TILT

GLASS TILT ADJUSTABLE CHANNEL SYSTEM

- Suits 12mm to 15mm toughened glass (including SGP toughened laminate glass)
- Covers available in satin anodised or mill finish. Channel finish is clear anodised
- Face mount & deck mount styles available - 4200mm long
- Pre-machined elongated fixing holes
- Easy snap-on covers hide all fixings
- Highest quality complete channel system + easy to install!
- Tilt adjust and tighten off glass from INSIDE the balcony



COMPONENTS

- 1** Versatilt channel
- 2** Side mount snap-on cover
- 3** Top mount snap-on cover
- 4** Bottom infill
- 5** Pressure plate kit:
 - Curve plate
 - Rubber gasket
 - Pressure plate

VERS A TILT

HOW TO ORDER

1 SELECT CHANNEL FIXING METHOD

FACE MOUNT

VER-4200-FMK

KIT INCLUDES:

1x 4200mm channel
1x 4450mm side cover
1x 4450mm top cover
1x 4450mm bottom infill
2x 4450mm glazing rubbers

OR

DECK MOUNT or IN-GROUND

VER-4200-DMK

KIT INCLUDES:

1x 4200mm channel
2x 4450mm side cover
2x 4450mm top cover
2x 4450mm glazing rubbers

2 SELECT FINISH

SATIN ANODISED

OR

MILL ALUMINIUM

3 SELECT PRESSURE PLATE KIT

12MM GLASS KIT

VER-PPKIT

KIT INCLUDES:

1x U gasket
1x curve plate
1x pressure plate
2x M12 nuts

OR

15MM GLASS KIT

VER-PPKIT + VER-15KIT-GAS

KIT INCLUDES:

12mm glass kit
PLUS
6x U gaskets to suit 15mm glass

4 ADD MISC. EXTRAS

DECK MOUNT END PLATES

VER-2DMEP: 2x end plates & 4x screws

FACE MOUNT END PLATES

VER-2FMEP: 2x end plates & 4x screws

TOP INFILL DIVIDERS

VER-0300-TI: 300mm long

JOINING PINS

VER-PINS: Pack of 10

RUBBER FOR 15MM GLASS

VER-15KIT-RUB: 1x R2 rubber & 1x R14 rubber

Recommended pressure plates per panel when using 970mm high 12mm clear toughened panels:

- Up to 1300mm wide span = 3 pressure plates per panel
- 1300mm to 1500mm wide span = 4 pressure plates per panel