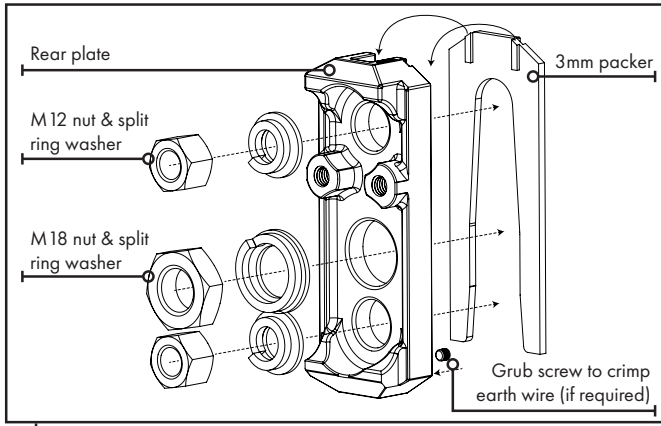
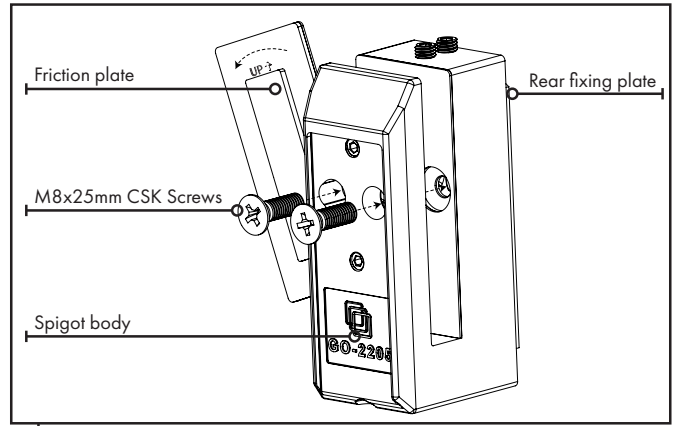


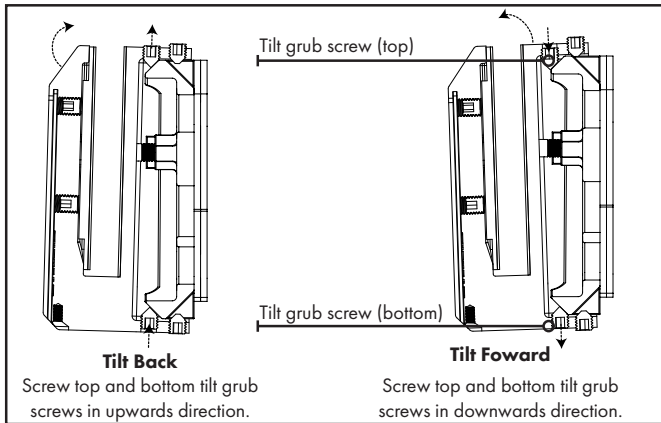
Madrid Tilt Adjustment Installation



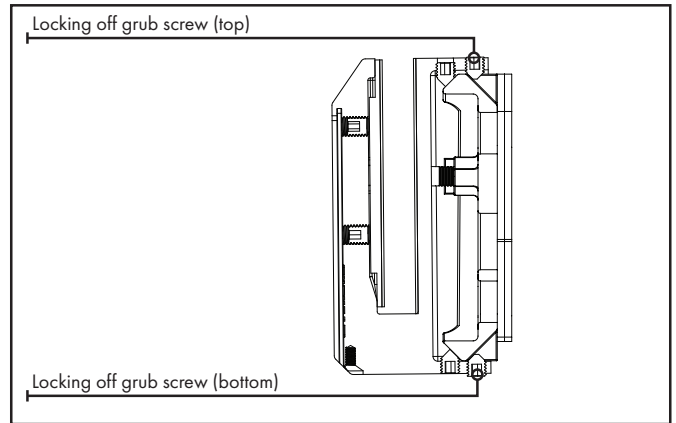
- 1** Secure the rear plate to substrate. Ensure rear plate installed with word 'TOP' facing upwards.
- Use appropriate fixing depending if steel, concrete, timber or other substrate. Fix rear plate using either (a) top & bottom holes with M12 rod/lag screw or (b) middle hole with M18 rod. Do not fix using all 3 holes.
- Multiple 3mm packers may be used to space rear plate from mounting wall in cases of over hanging lips etc.
- For the M18 and M12 holes, plastic bushes are provided. For each type, select between an offset bush and standard round bush. The offset bush can be rotated for height adjustment.
- Install Note:** Central M18 rod to be used only for pool fencing. For balustrate installation always use 2 x M12 fixings per spigot.



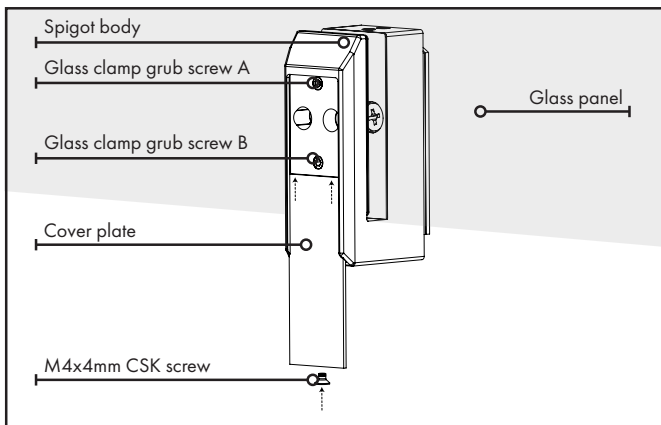
- 2** Remove friction plate from spigot body. Insert 2x M8x25mm counter sunk screws through holes in front and into back holes locating into threaded bosses in rear plate.
- Tighten M8x25mm counter sunk screws, securing the spigot front to rear plate.
- Use Loctite 242 or Ultraloc 3242 to ensure long lasting and secure fixing.
- Replace friction plate to spigot.



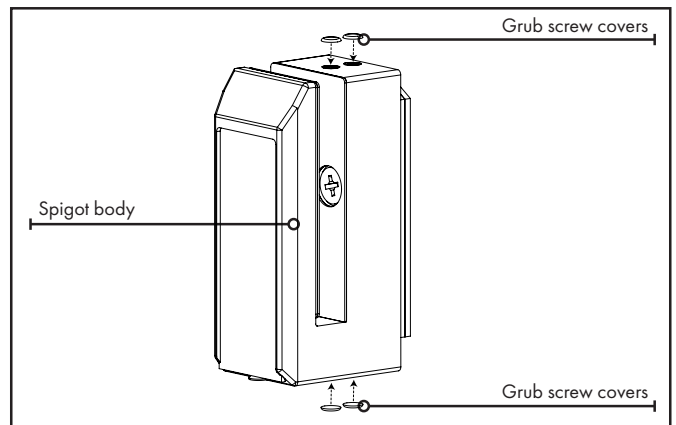
- 3A** Before installing glass, use a spirit level to adjust spigot to vertical position. Recommended to use a string line from first to last spigot in alignment to ensure all spigots are level.
- Use the shown tilt grub screws on the top and bottom to tilt the spigot forward or back. Lock off grub screws (refer 3B) should be loosened off at this stage.
- Install note:** Shorter M8 grub screw included in case of large angle adjustments causing existing grub screw to protrude. Replace with shorter M8 grub screw as required.



- 3B** Once spigot is level use locking off grub screws (top and bottom) to secure spigot in position.
- Ensure grub screws are tightly affixed.



- 4** Install 12mm thick glass into spigot and tighten glass clamp grub screws A and B. Install cover plate by sliding upwards into recess at front of spigot.
- Secure cover in place with 1 x M4x4mm counter sunk screw.
- Install note:** To ensure cover plate can slide into position, the spigot must have a 70mm minimum gap to floor/ground.



- 5** Adhere grub screw covers with silicone.

BEWARE OF ELECTRICAL WIRING PRIOR TO DRILLING AND INSTALLING ANY FITTINGS